

## Features

- One-piece wall-hung toilet.
- Compact elongated bowl offers added comfort while occupying the same space as a round-front bowl.
- Mounting hardware is completely concealed, giving a sleek, seamless look that is easy to clean.
- Includes wall-hung bowl with Reveal® Quiet-Close™ seat.
- Requires in-wall tank and carrier system, and flush actuator plate (sold separately).



## Installation

- This product is not designed or intended for bariatric use.

## Required Products/Accessories

K-6284 2"x6" In-Wall Tank and Carrier System

or

K-18829 2x4 In-Wall Tank & Carrier System  
 K-5413 Flush Actuator Plate

or

K-18829 2x4 In-Wall Tank & Carrier System  
 K-4177 Flush Actuator Plate

or

K-18829 2x4 In-Wall Tank & Carrier System  
 K-8857 Flush Actuator Plate

or

K-18829 2x4 In-Wall Tank & Carrier System  
 K-75890 Flush Actuator Plate

or

K-18829 2x4 In-Wall Tank & Carrier System  
 K-75891 Flush Actuator Plate

## Recommended Products/Accessories

K-23726 Drain treatment

## Included Components

Product consists of:

K-4008 Reveal® Quiet-Close™ Elongated Toilet Seat



**ADA** **CSA B651** **OBC**

## Codes/Standards






ASME A112.19.2/CSA B45.1  
 ASME A112.19.14  
 DOE - Energy Policy Act 1992  
 EPA WaterSense®  
 California Energy Commission (CEC)  
 ADA  
 ICC/ANSI A117.1  
 CSA B651  
 OBC

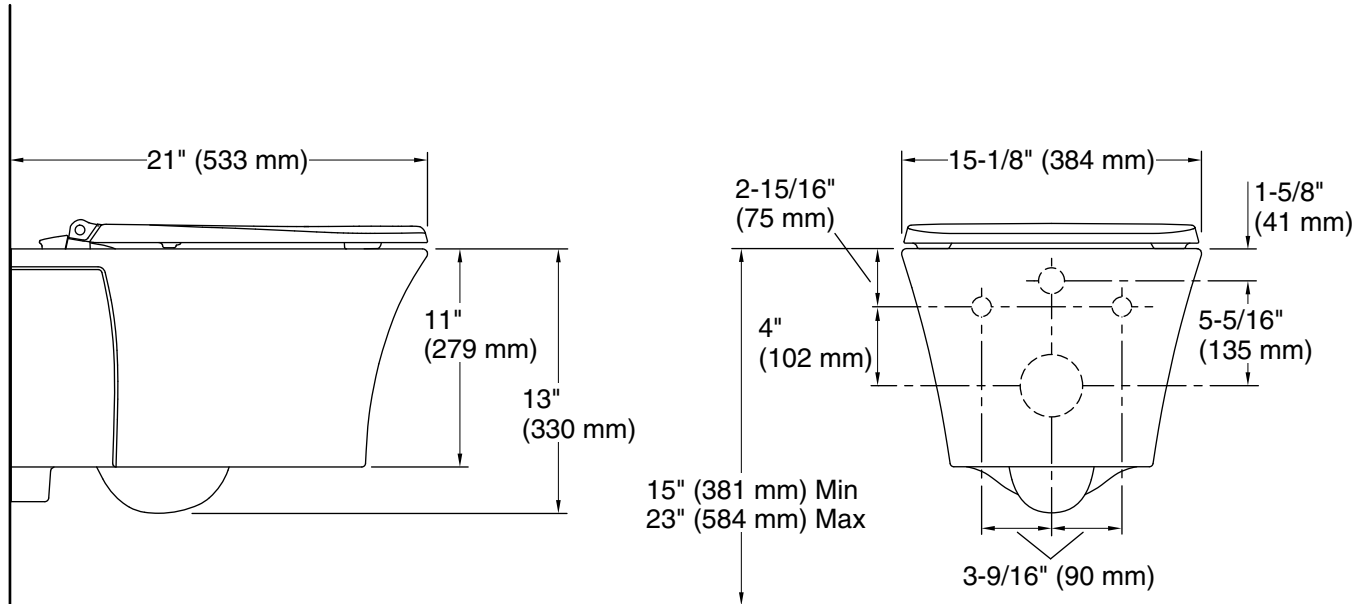
## KOHLER® Toilets and Seats Limited Warranty

See website for detailed warranty information.

## Available Colors/Finishes

*Color tiles intended for reference only.*

Color	Code	Description
	0	White
	96	Biscuit
	47	Almond
	NY	Dune
	7	Black Black™



## Technical Information

All product dimensions are nominal.

Toilet type:	In-wall tank, Wall-mount
Waste Outlet:	Wall
Bowl shape:	Elongated
Trap passageway:	3" (76 mm)
Water Consumption	
Full:	1.6 gpf (6 lpf)
Reduced:	0.8 gpf (3 lpf)
Water surface size:	4-1/2" x 5-1/2" (114 mm x 140 mm)
Rim to water surface:	8-3/16" (208 mm)
Seat-mounting holes:	5-1/2" (140 mm)

## Notes

Install this product according to the installation instructions.

Toilet height is dependent on carrier settings. ADA, OBC, CSA B651 compliant when installed to the specific requirements of these regulations.

Plumbing codes may require elongated toilets and elongated, open-front seats in public bathrooms.

Accessibility standards may require controls to be located on the open side of the toilet.